



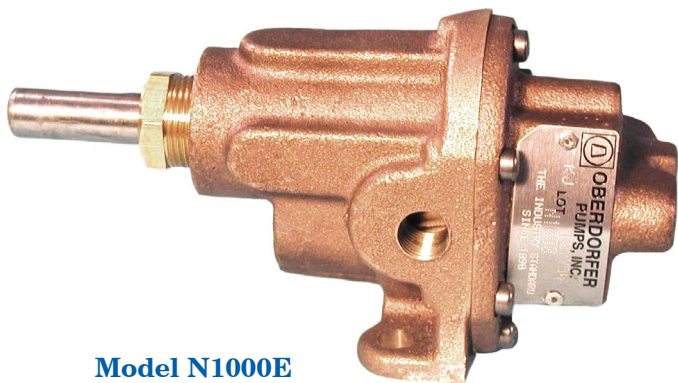
OBERDORFER PUMPS

by Gardner Denver

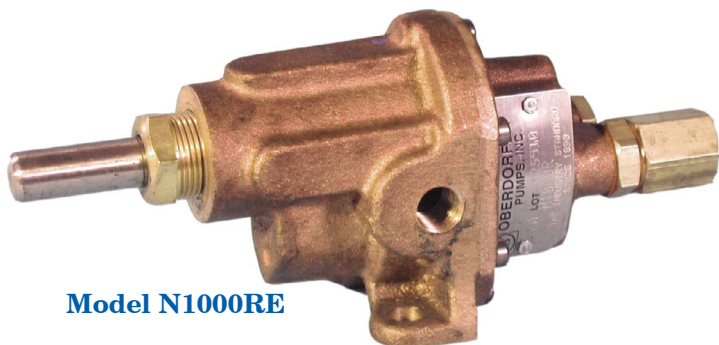
Bronze Pedestal Rotary Gear Pumps

Model N1000E Series

1/4" BSPT Ports Standard



Model N1000E



Model N1000RE

FEATURES:

- Bronze Corrosion Resistant Castings
- Special Cast Bronze Gears
- Stainless Steel Shafts & Fasteners
- Heavy Duty Carbon Bearings (Self Lubricating)
- Positive Displacement Flow
- Shaft Seal Choices: Packing, Seal, Mechanical

DRIVE:

Either direct drive with flexible coupling or pulley drive can be used. Make sure both flexible coupling halves are properly aligned. When using a pulley, do not overtighten the belt. Also, to absorb belt side thrust at higher pressures and larger size pumps, an external ball bearing support is recommended -- consult factory.

LIQUIDS AND TEMPERATURE:

Service life will be increased substantially if the liquid pumped is clean and has some degree of lubricity. These positive displacement pumps have tight tolerances. Fine abrasives like sand, silt, or powders in suspension will accelerate pump wear and reduce throughput.

Liquids compatible with bronze and stainless steel can be pumped providing proper seal has been specified (see chemical compatibility or check factory). When possible, flush the pump after each usage.

Temperature extremes are detrimental to service life and should be avoided. Basic metals of construction allow a temperature range of -40° to 200° C. Some lip

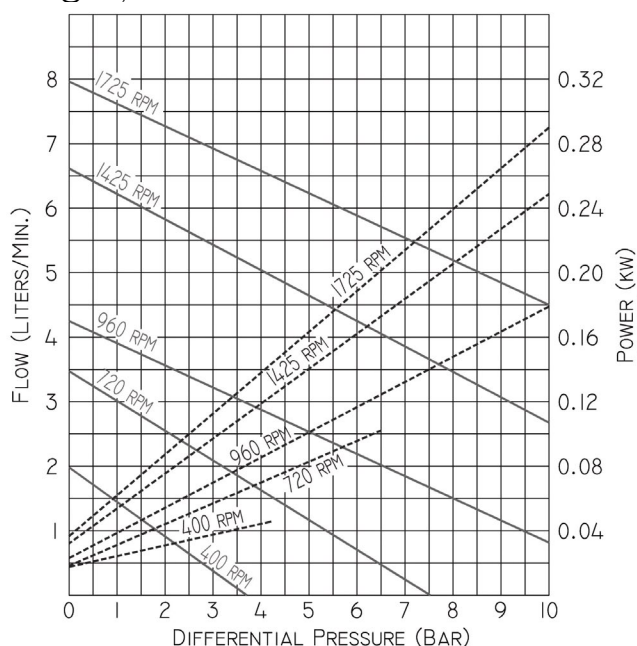
and mechanical seal elastomers have a limit of 100° C (see engineering data or check factory). Allowing a liquid to freeze in the pump can cause damage.

SUCTION LIFT:

Close tolerances and the positive pumping action make the rotary gear pump capable of lifting water on the suction side as high as 6 meters. Though gear pumps are self priming, a foot valve is recommended. If possible, wet the gears with liquid to be pumped for the first dry start. Liquid retained in the system and gear chambers serves to "wet" the pump on subsequent starts.

PERFORMANCE CURVE:

Values @ 1cP, 20° C



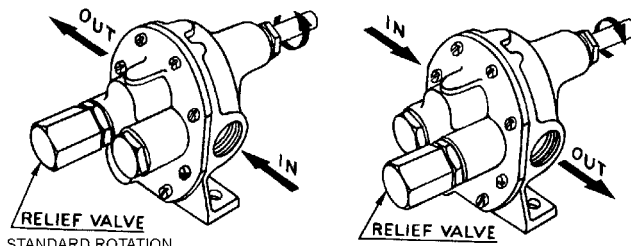
* For pressures over 7 bar, the above selections are suitable for pumping fluids with lubricity (eq. oils, polymers). Service life will decrease for fluids without lubricity (eq. water, solvents).

BY-PASS AND ROTATION:

The pump by-pass is not intended to be a metering or flow control device. Its main purpose is to function as a pressure relief when the desired set point is exceeded, overheating can occur within 5 - 10 minutes if the discharge line is completely shut off for extended periods.

Reversing rotation reverses the "IN" and "OUT" ports and the location of the by-pass ports have to be reversed.

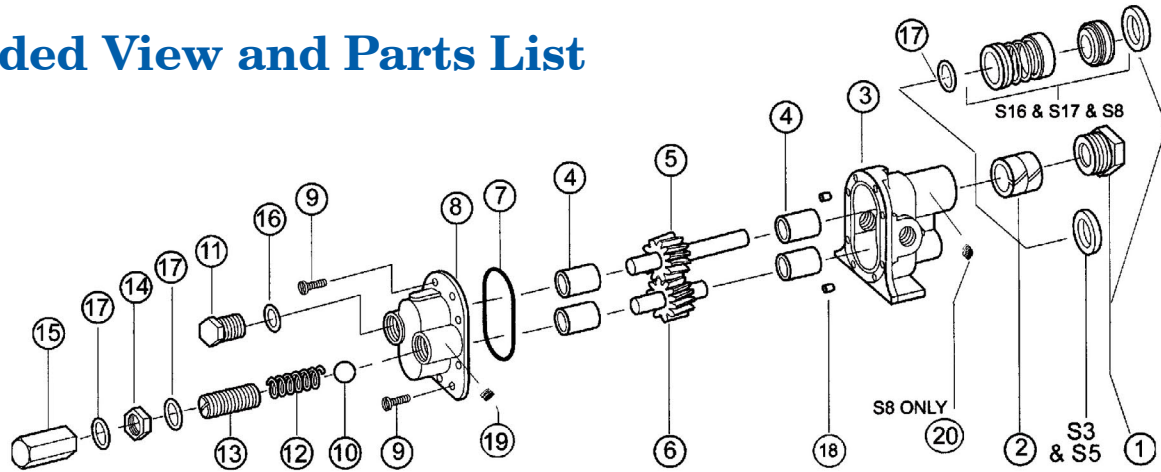
The by-pass valve is factory set at 3.5 bar. To increase the setpoint, turn the by-pass valve adjusting screw in a clockwise direction.



Bronze Pedestal Rotary Gear Pumps

Model N1000E Series

Exploded View and Parts List



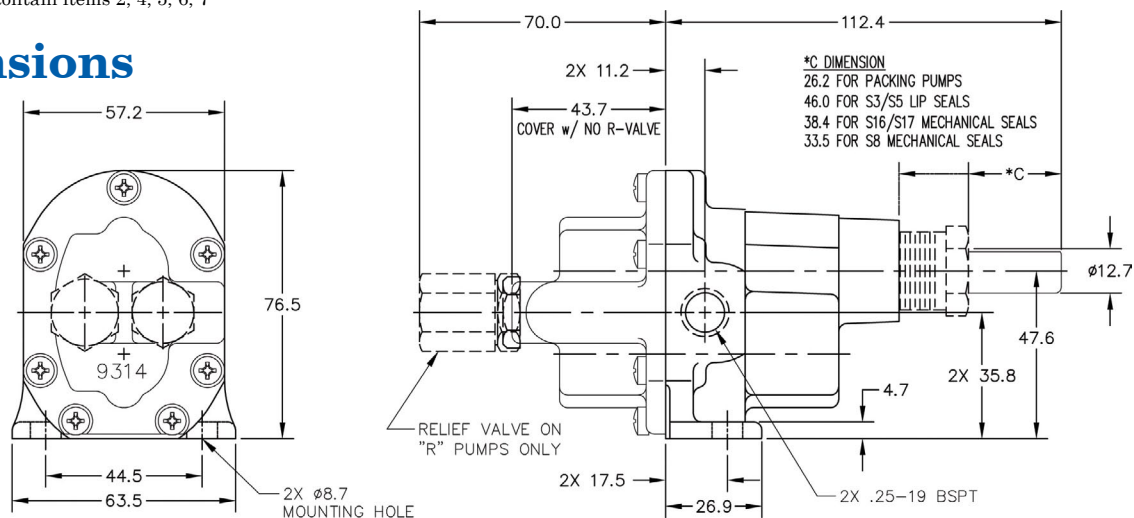
		1	2	3	4	5	6	7	8	9	10	11	12	13	14	
		Packnut or Retaining Ring	Packing	Seal	Body	Bearing	Drive Gear Assy	Idle Gear Assy	O-ring	Cover	Screw	Ball	Plug Nut	Spring	Adj. Screw	Locknut
Model	Seal Arrangement	Qty. 1	Qty. 2	Qty. 1	Qty. 1	Qty. 4	Qty. 1	Qty. 1	Qty. 1	Qty. 1	Qty. 7	Qty. 1	Qty. 1	Qty. 1	Qty. 1	Qty. 1
N1000E	Packing	1892	5481	NA	9311NB1N-E	5024	32101	32110	9797-033	9314NN5N	5385	N/A	N/A	N/A	N/A	N/A
N1000ES3	NBR Lip	N/A	N/A	5007	9311NB2N-E	5024	32101	32110	9797-033	9314NN5N	5385	N/A	N/A	N/A	N/A	N/A
N1000ES5	FKM Lip	N/A	N/A	7580	9311NB2N-E	5024	32101	32110	9797-033	9314NN5N	5385	N/A	N/A	N/A	N/A	N/A
N1000ES16	NBR Bellows Mech.	7639	N/A	32584	9370NB4N-E	5024	32687	32110	9797-033	9314NN5N	5385	N/A	N/A	N/A	N/A	N/A
N1000ES17	FKM Bellows Mech.	7639	N/A	32585	9370NB4N-E	5024	32687	32110	9797-033	9314NN5N	5385	N/A	N/A	N/A	N/A	N/A
N1000ES8	PTFE Wedge Mech.	7639	N/A	32335	9370NB6N-E	5024	32687	32110	9355-033	9314NN5N	5385	N/A	N/A	N/A	N/A	N/A
Relief Valve Versions: N1000RE, N1000RES3, N1000RES5, N1000RES16, N1000RES17, N1000RES8										9314NN5B	5809	5775R	5806	5766	5774D	

	15	16	17	18	19	20	Repair Kit*
	Bypass Nut	O-Ring	O-Ring	Dowel Pin	Retaining Pin	Pipe Plug	
Model	Qty. 1	Qty. 1	Qty. 3	Qty. 1	Qty. 1	Qty. 1	
N1000E	N/A	N/A	N/A	8885	N/A	N/A	10635
N1000ES3	N/A	N/A	N/A	8885	N/A	N/A	11266
N1000ES5	N/A	N/A	N/A	8885	N/A	N/A	11396
N1000ES16	N/A	N/A	N/A	8885	5373	N/A	11925
N1000ES17	N/A	N/A	N/A	8885	5373	N/A	12104
N1000ES8	N/A	N/A	N/A	8885	5373	6052	11283
Relief Valve Versions	5767	9797-012	9797-015				

NBR = Acrylonitrile-Butadiene
 PTFE = Polytetrafluorethylene
 FKM = Fluoroelastomer

* All Repair Kits contain items 2, 4, 5, 6, 7

Dimensions



OBERDORFER PUMPS

by Gardner Denver

5900 Firestone Drive, Syracuse, NY 13206

Phone: (800) 448-1668; (315) 437-0361 • Fax: (315) 463-9561

Visit www.oberdorfer-pumps.com to find in-depth descriptions of the world's leading high-quality, dependable pumps.

Due to ongoing product improvements, data shown here is subject to change without notice. Contact Oberdorfer Pumps for latest specifications.